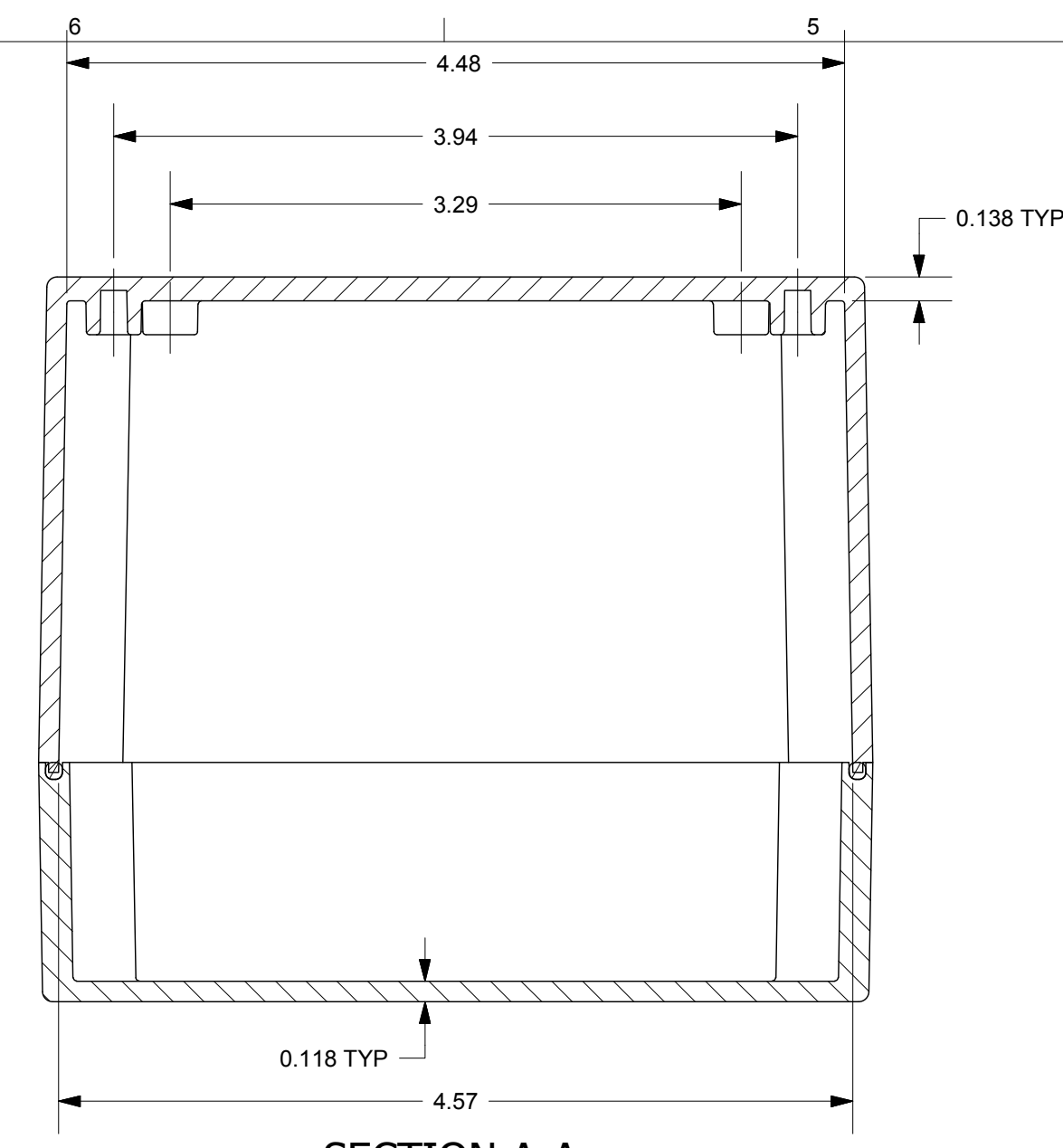
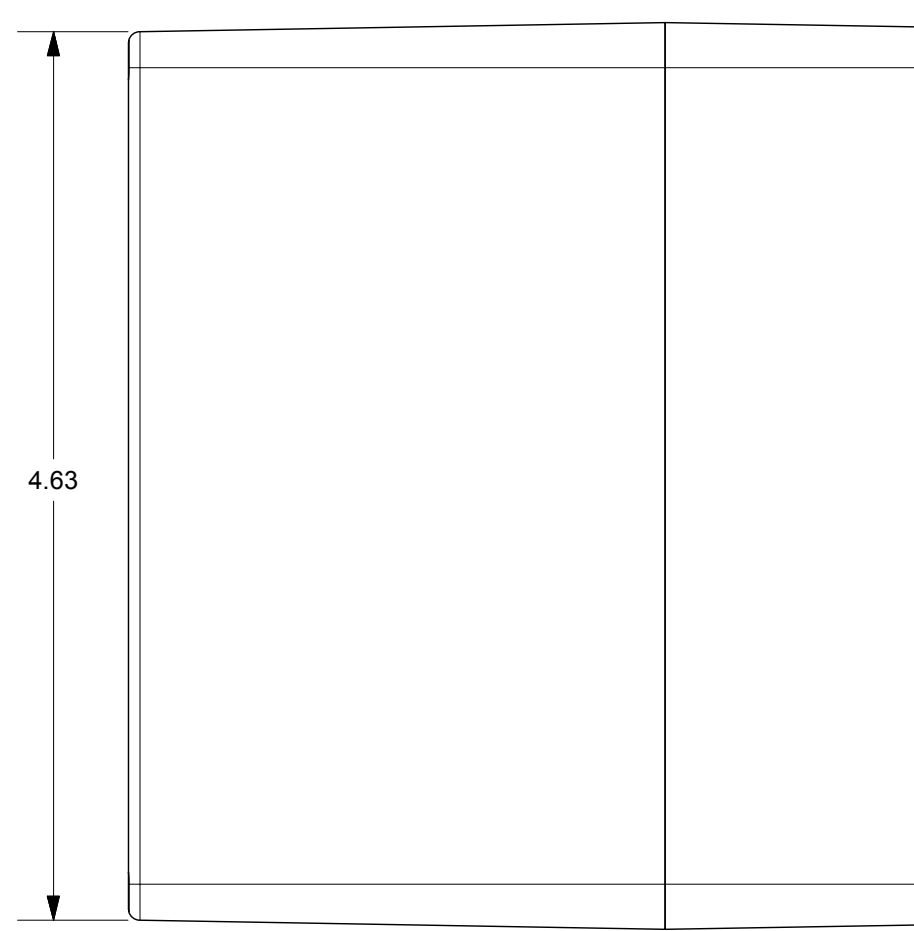
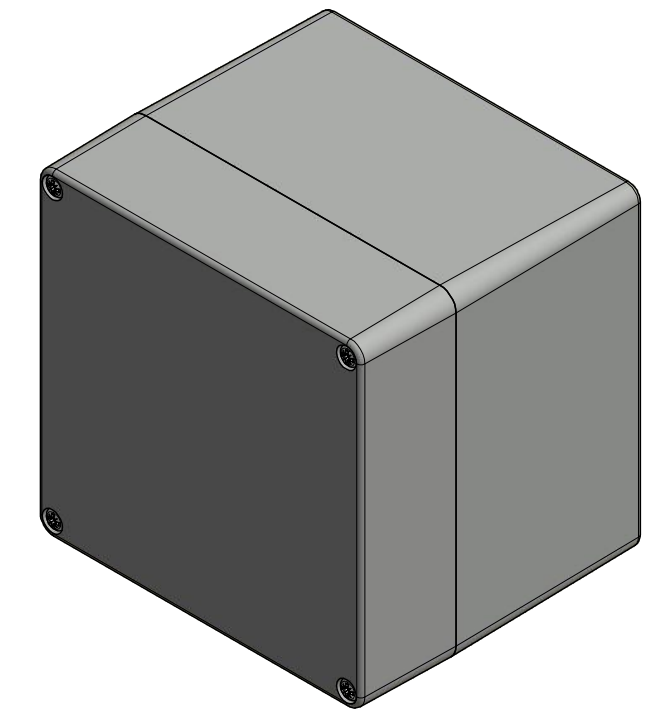
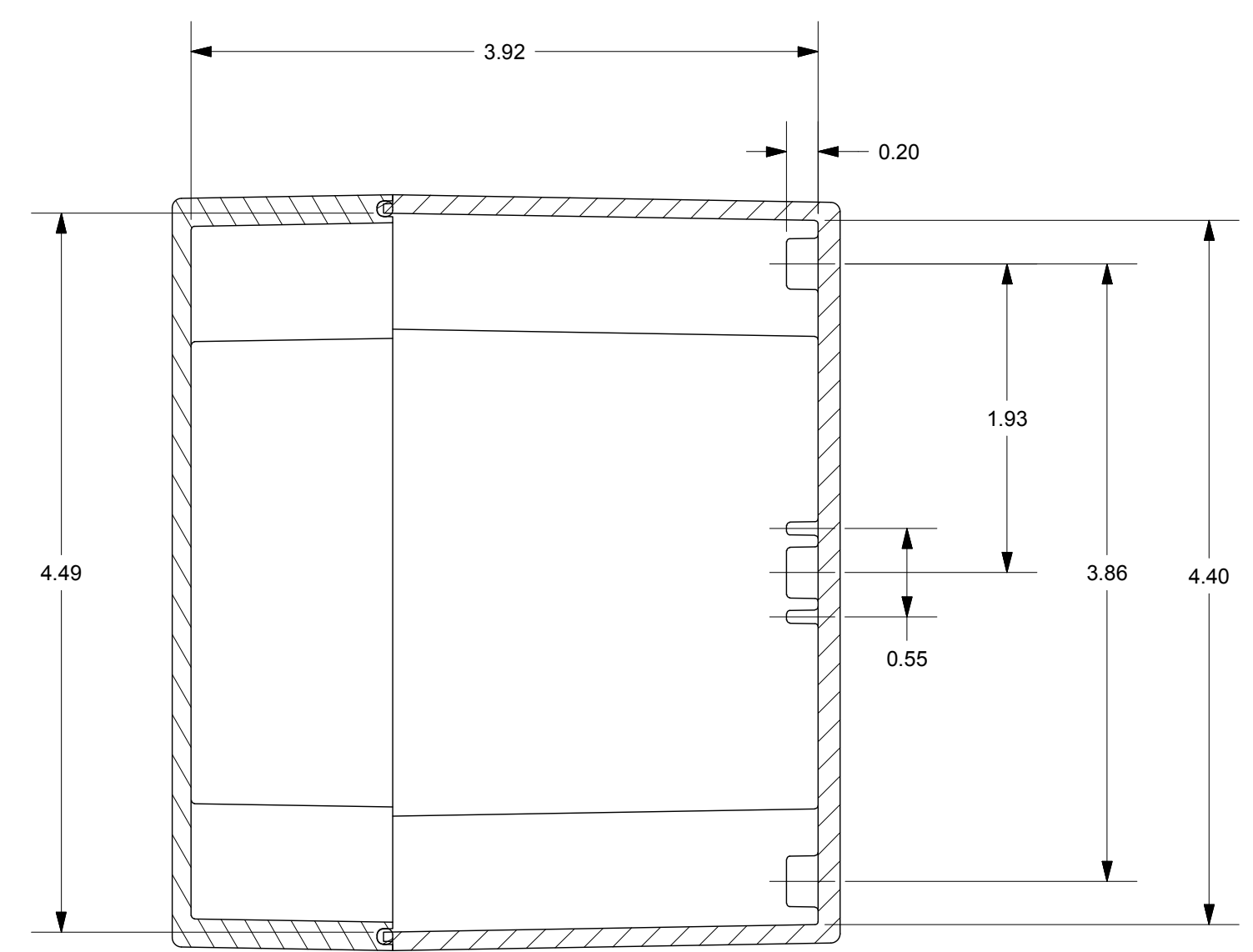
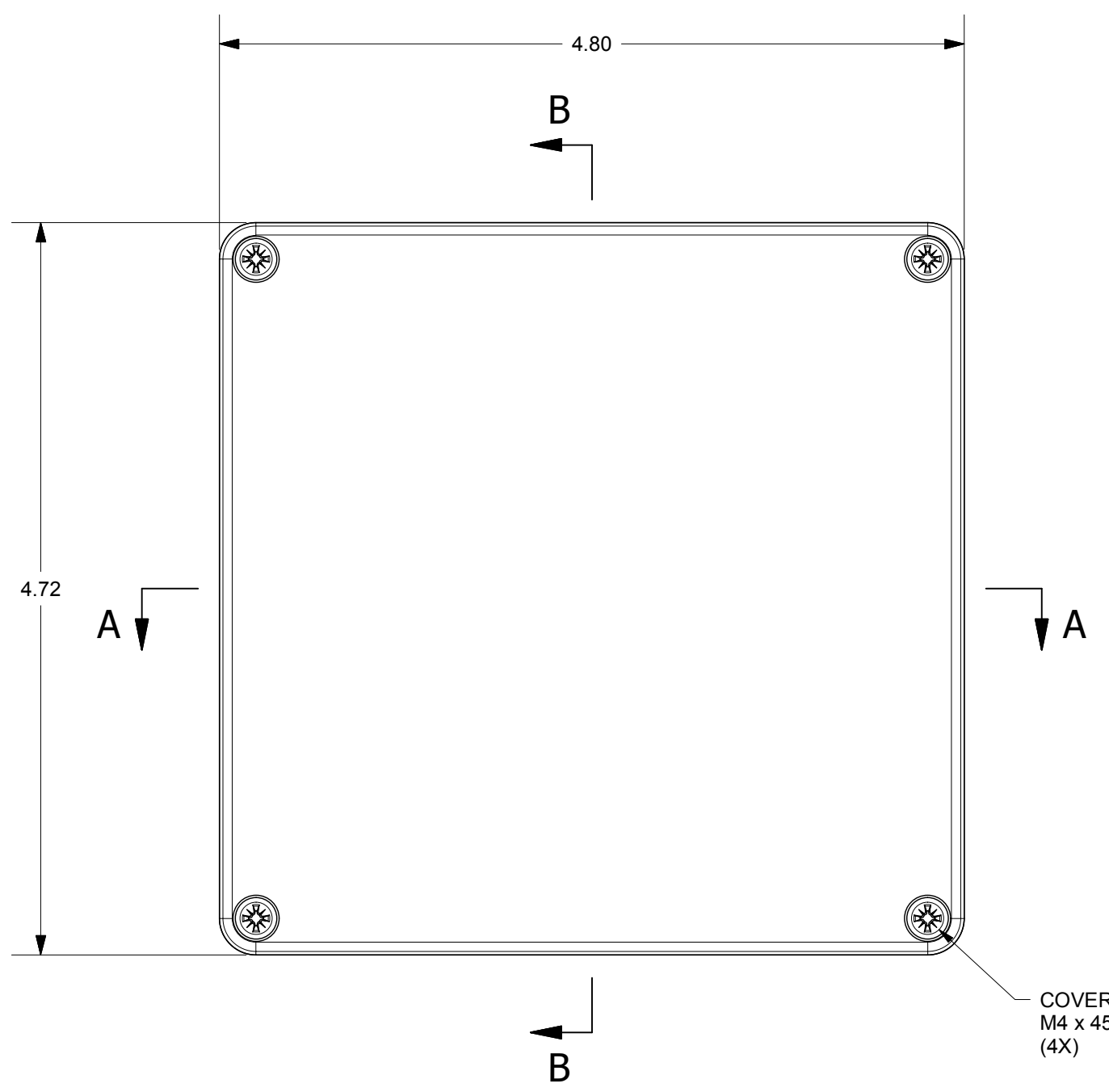




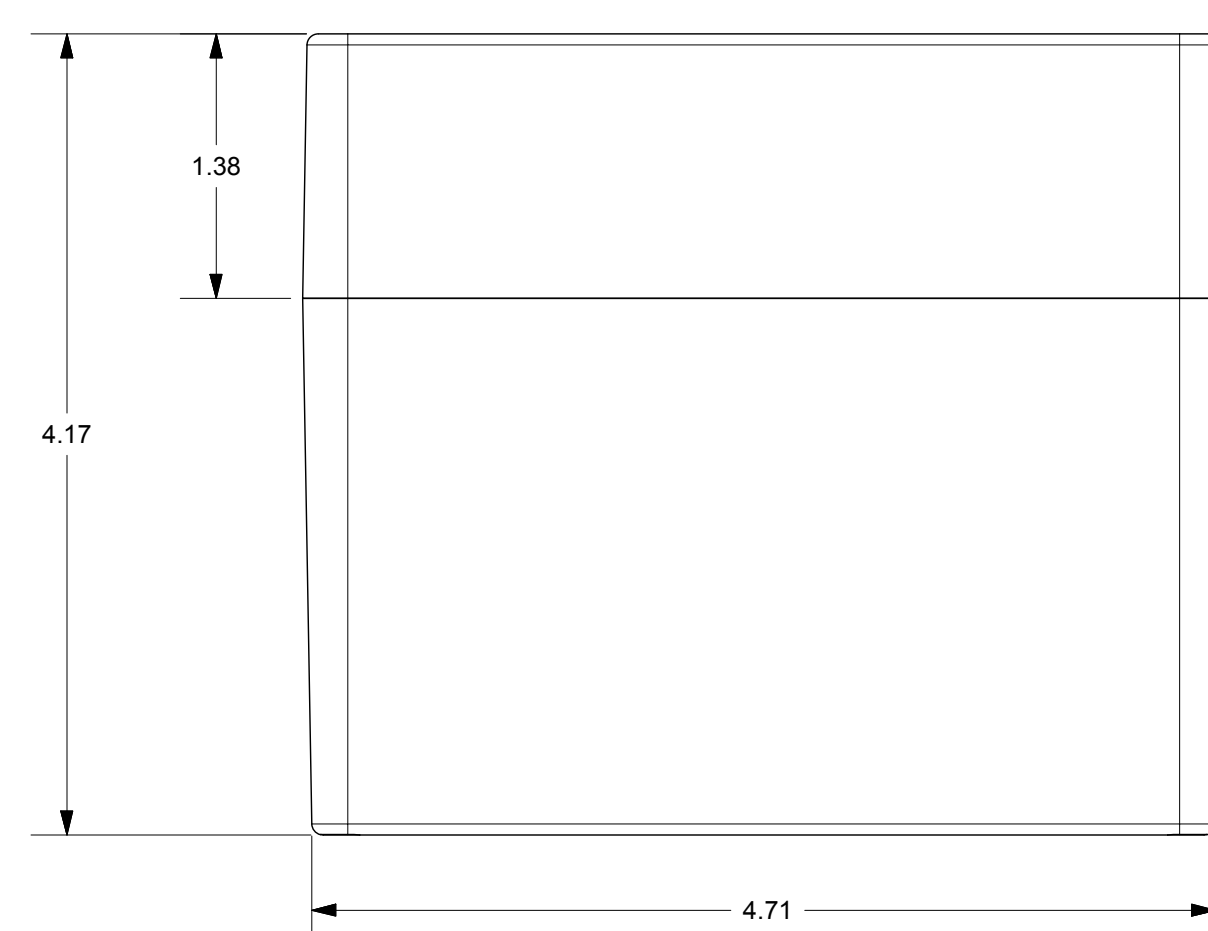
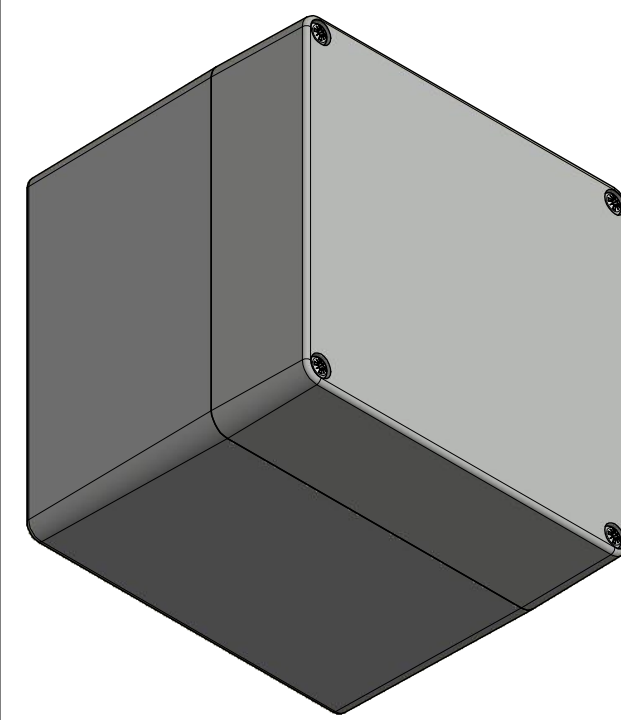
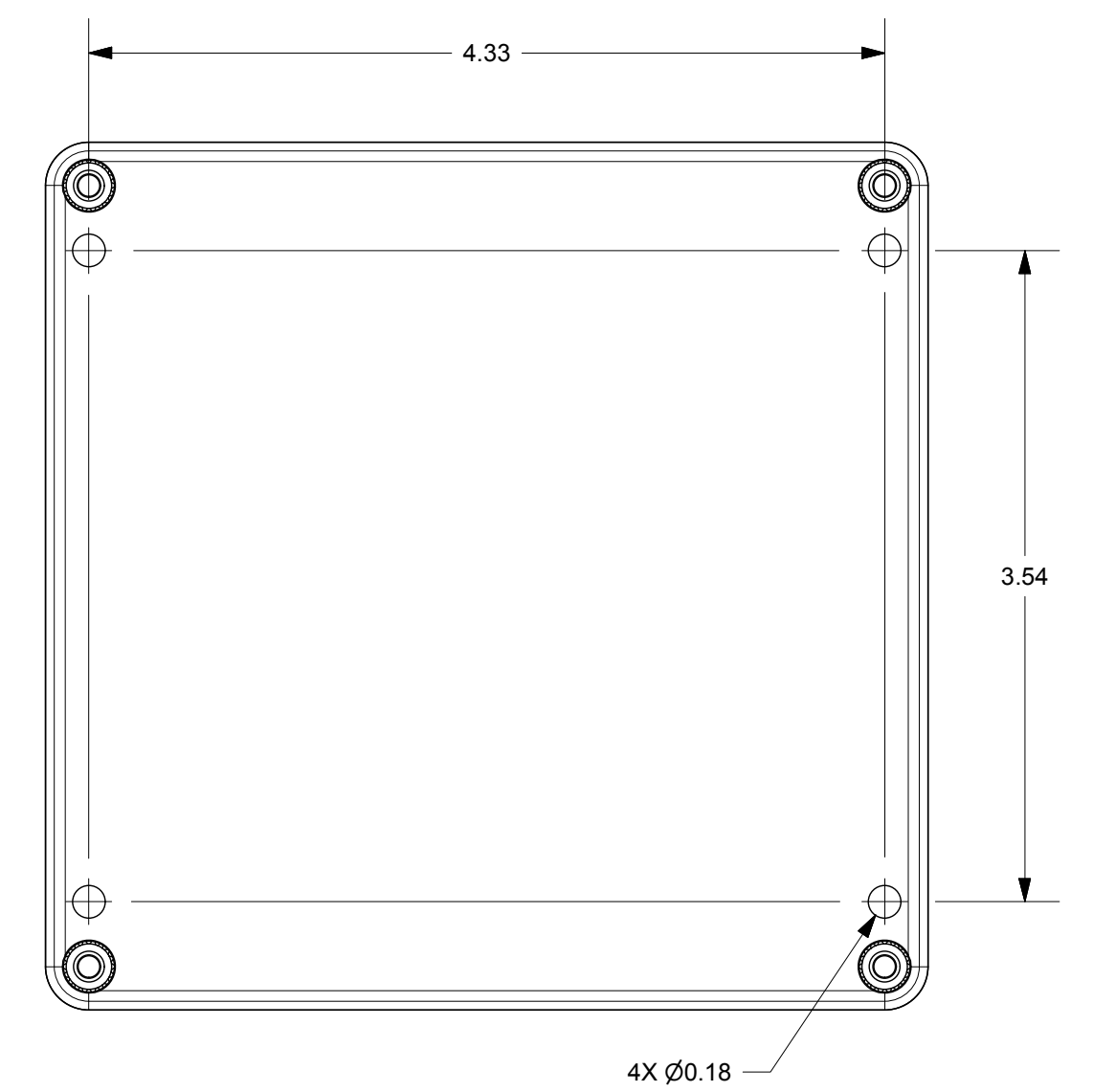
PRODUCT LABEL DETAIL



SECTION A-A



SECTION B-B



THIS DRAWING IS THE SOLE AND EXCLUSIVE PROPERTY OF ROBROY ENCLOSURES. NO PART OF THIS DRAWING MAY BE REPRODUCED, DISTRIBUTED, OR PUBLICALLY DISPLAYED IN ANY FORM OR BY ANY MEANS WITHOUT THE EXPRESS WRITTEN PERMISSION OF ROBROY ENCLOSURES. ALL RIGHTS RESERVED. UNDER THE COPYRIGHT LAWS. COPYRIGHT © 2018 ROBROY ENCLOSURES.

END USER NOTES:
1. TORQUE COVER SCREWS TO 9-17 IN.-LBS. TO MAINTAIN RATINGS.

SPECIAL REQUIREMENTS

NEMA 250: TYPE 1, 3R, 4, 4X, 12 IEC 60529: IP66 COLOR: LIGHT GREY COLOR STANDARD: RAL 7035		STANDARD P/N: ST121211W CUSTOMER DWG:	ALL DIMENSIONS ARE IN INCHES UNLESS OTHERWISE SPECIFIED	TOLERANCES UNLESS SPECIFIED	.XX ± 0.03 .XXX ± 0.010
MATERIAL: POLYCARBONATE				Robroy Enclosures	
REVISION HISTORY				DRAWN BY: E91	DATE: 02/08/18
REV	DESCRIPTION	DATE	ENG	SCALE	PART NUMBER
-	-	-	-	DO NOT SCALE	STANDARD ENCLOSURE
-	-	-	-	-	FEST121211W